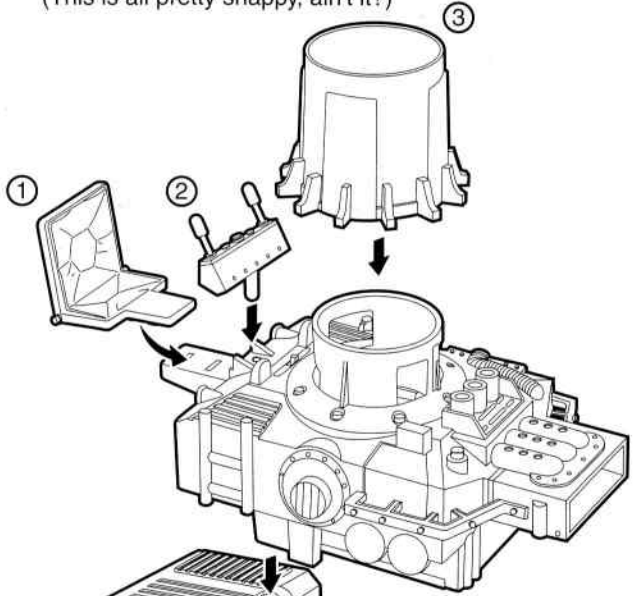


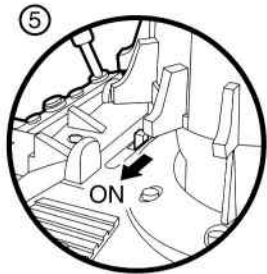


S.W.A.T. LID LAUNCHER INSTRUCTIONS:

1. Snap on soft shell comfy seat.
2. Snap control panel into hole at turret base in front of comfy seat.
3. Snap on the turret top.
(This is all pretty snappy, ain't it?)

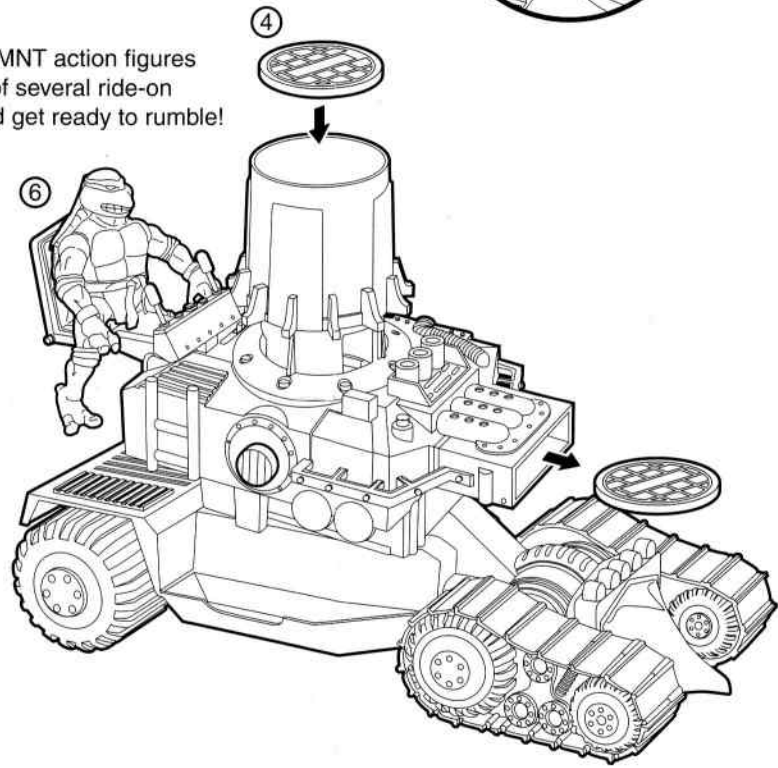


5. ON-OFF switch is located at comfy seat controls. Move switch to ON position.

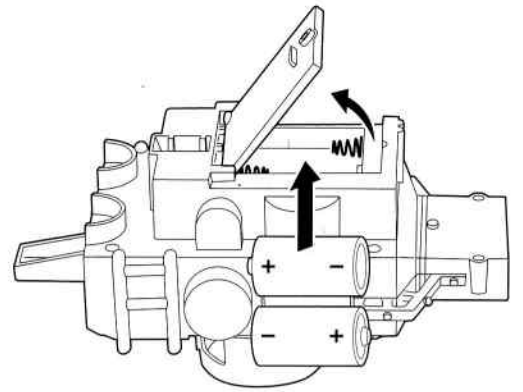


4. Now load the sewer lids into the turret as shown and get ready to let one fly!

6. Place your TMNT action figures on any one of several ride-on positions and get ready to rumble!



7. Now comes the best part! Time to head out for cruisin' and bruising the bad guys. Aim the Sewer Lid Launcher. Push the Red button on the right side of the Turtle turret base, and flip some lids for the Teenage Mutant Ninja Turtles!



To replace batteries:

- 1). First you need some Turtle Power! Remove Turtle turret tower from body of vehicle. Remove screw from battery cover located at base of turret tower and remove battery cover door.
- 2). Install 2 new "C" batteries. Replace cover and replace screw. Snap Turtle turret tower back onto vehicle body.

Battery Regulations:

- do not mix old and new batteries,
- do not mix alkaline, standard (carbon-zinc), or rechargeable (nickel-cadmium) batteries.

This device complies with Part 15 of the FCC Rules. Operation is subject to the following two conditions: (1) this device may not cause harmful interference, and (2) this device must accept any interference received, including interference that may cause undesired operation.

Battery Instructions:

- do not use rechargeable batteries;
- non-rechargeable batteries are not to be recharged;
- different types of batteries or new and used batteries are not to be mixed;
- only batteries of the same or equivalent type as recommended are to be used;
- batteries are to be inserted with the correct polarity;
- exhausted batteries are to be removed from the toy;
- the supply terminals are not to be short-circuited.

Under the environment with severe electrostatic discharge, the product may malfunction and requires user reset.

Age 4 and up



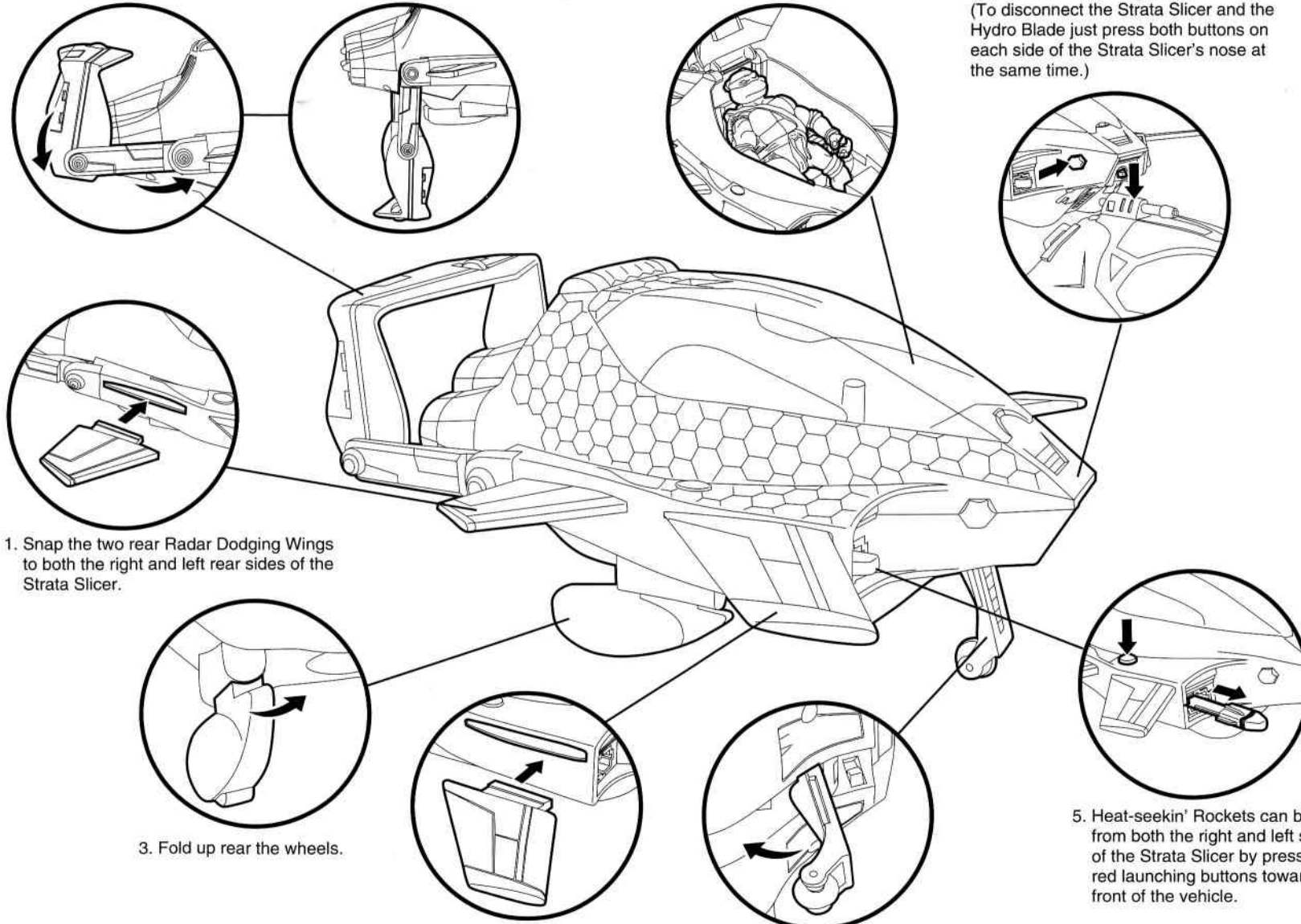
STOCK NO. 54591

S.W.A.T. X-3 FIGHTER INSTRUCTIONS:

8. When your Shell Striker Super Vehicle is ready to be parked just fold down the Strata Slicer's Mighty Maneuverable Mutant Tailfin!

7. Open the Strata Slicer's Bullet-proof Blast Shield and seat your TMNT figure into the Strata Slicer.

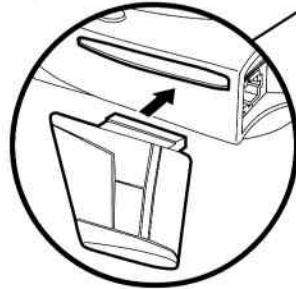
6. Snap the front of the Strata Slicer into the rear of the Hydro Blade. You have now assembled the Shell Striker Super Vehicle's jet engine! (To disconnect the Strata Slicer and the Hydro Blade just press both buttons on each side of the Strata Slicer's nose at the same time.)



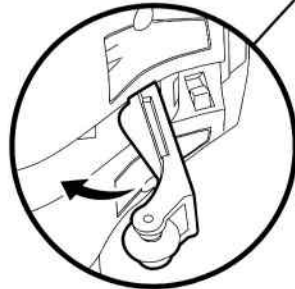
1. Snap the two rear Radar Dodging Wings to both the right and left rear sides of the Strata Slicer.



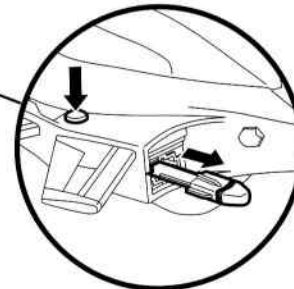
3. Fold up rear the wheels.



2. Snap the two front Radar Dodging Wings to both the right and left front sides of the Strata Slicer.



4. Fold up the front wheel.



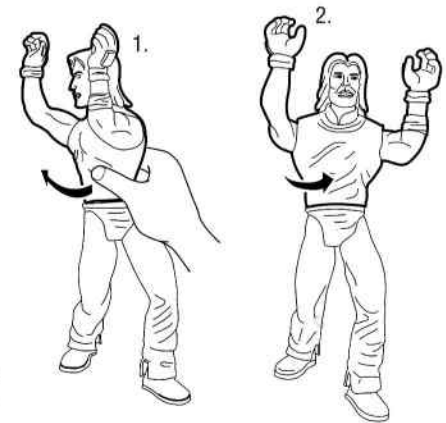
5. Heat-seeKin' Rockets can be fired from both the right and left sides of the Strata Slicer by pressing the red launching buttons towards the front of the vehicle.

S.W.A.T. CASEY JONES INSTRUCTIONS:

Twist body to either left or right side as shown.



Release body and torso will swing back to forward position as shown.



Age 4 and up

Playmates®

STOCK NO. 54591

Do not use projectiles other than those provided by the toy.

Teenage Mutant Ninja Turtles® © 2005 Mirage Studios, Inc. Teenage Mutant Ninja Turtles®, Leonardo®, Michelangelo®, Donatello®, Raphael®, Splinter®, Shredder®, and April O'Neil® are registered trademarks of Mirage Studios, Inc. All Rights Reserved. PRINTED IN CHINA.