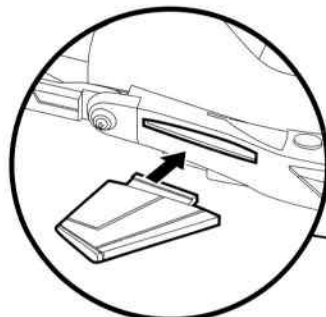
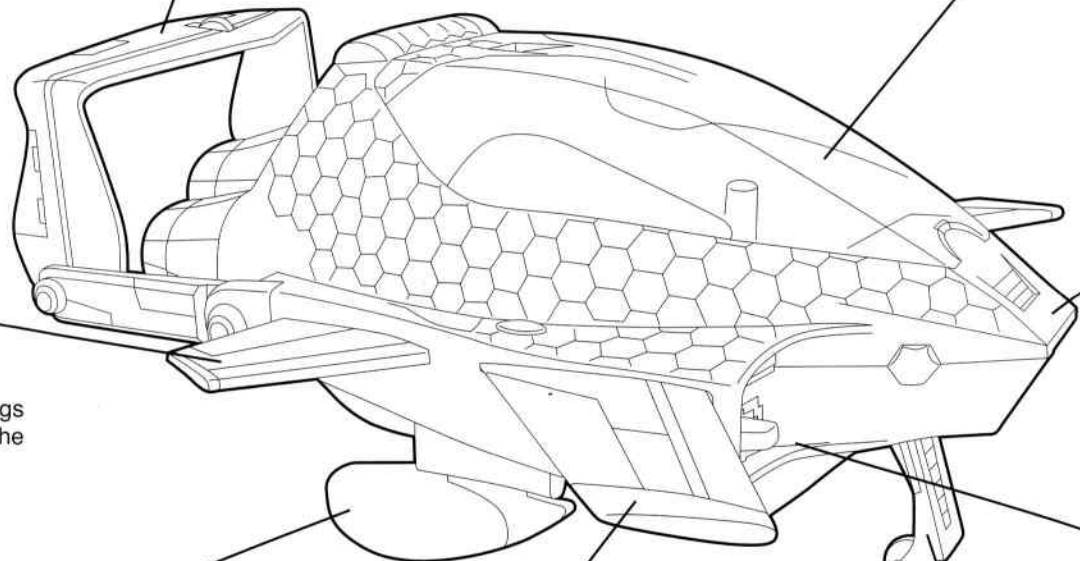




# STRATA SLICER INSTRUCTIONS:



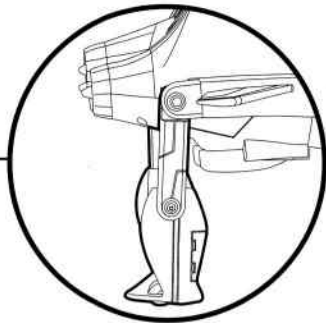
1. Snap the two rear Radar Dodging Wings to both the right and left rear sides of the Strata Slicer.



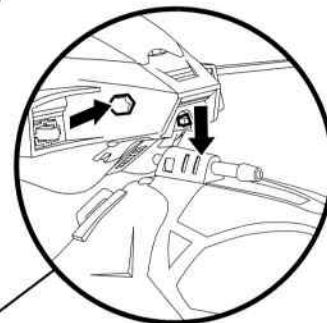
3. Fold up rear the wheels.



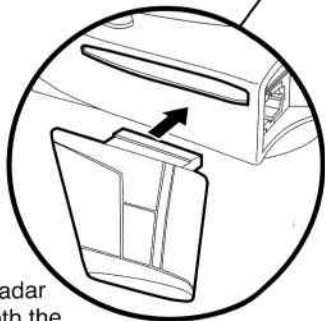
8. When your Shell Striker Super Vehicle is ready to be parked just fold down the Strata Slicer's Mighty Maneuverable Mutant Tailfin!



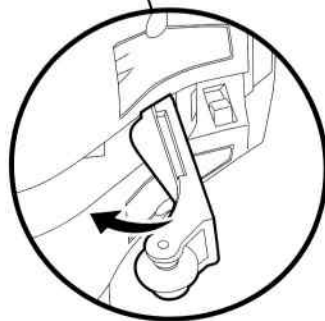
7. Open the Strata Slicer's Bullet-proof Blast Shield and seat your TMNT figure into the Strata Slicer.



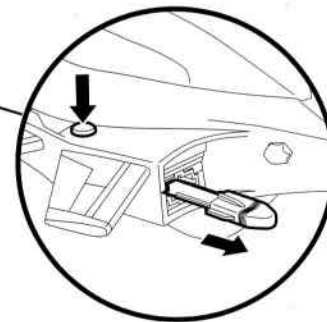
6. Snap the front of the Strata Slicer into the rear of the Hydro Blade. You have now assembled the Shell Striker Super Vehicle's jet engine! (To disconnect the Strata Slicer and the Hydro Blade just press both buttons on each side of the Strata Slicer's nose at the same time.)



2. Snap the two front Radar Dodging Wings to both the right and left front sides of the Strata Slicer.



4. Fold up the front wheel.



5. Heat-seekin' Rockets can be fired from both the right and left sides of the Strata Slicer by pressing the red launching buttons towards the front of the vehicle.

Age 4 and up

**Playmates** ASST NO. 154150  
STOCK NO. 54294

Do not use projectiles other than those provided by the toy.  
Three vehicles and figure are sold separately

Teenage Mutant Ninja Turtles® © 2005 Mirage Studios, Inc. Teenage Mutant Ninja Turtles®, Leonardo®, Michelangelo®, Donatello®, Raphael®, Splinter®, Shredder®, and April O'Neil® are registered trademarks of Mirage Studios, Inc. All Rights Reserved. PRINTED IN CHINA.