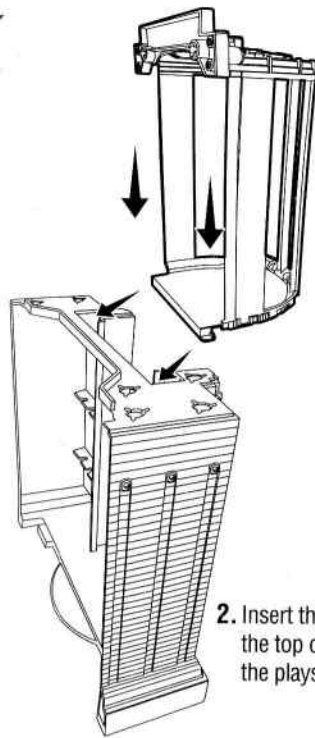
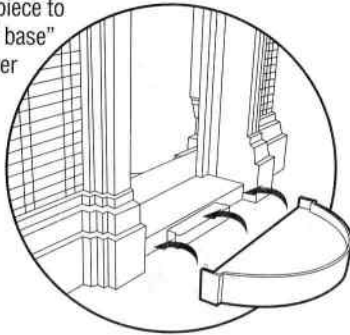


TMNT™

MONSTER ACTION TOWER PLAYSET INSTRUCTIONS:

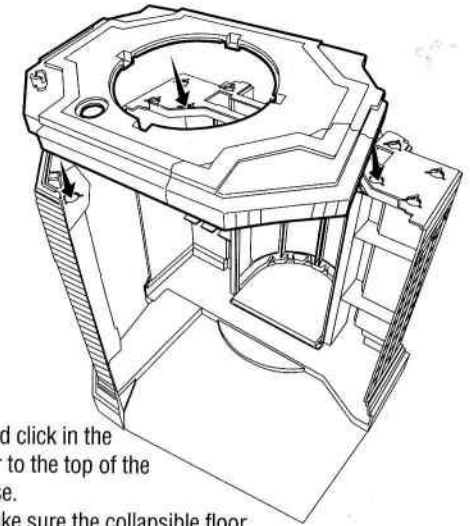
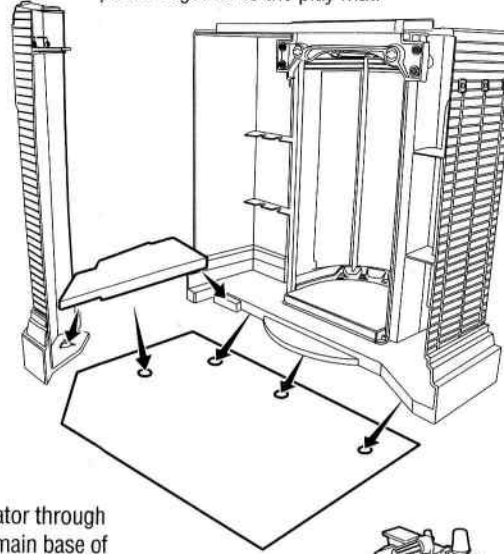
To assemble the playset:

1. Click in half moon piece to the playset's "main base" to stabilize the Tower for building.



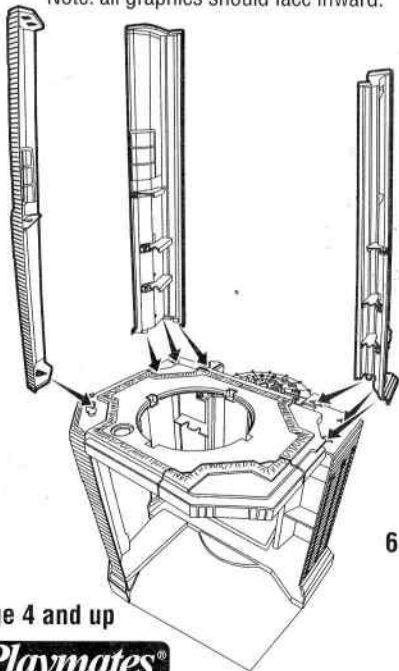
2. Insert the elevator through the top of the main base of the playset.

3. Click in the 2nd tower post to the main base, then click these two pieces together to the play mat.

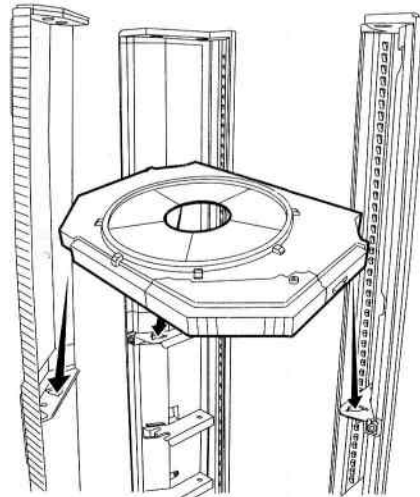


4. Insert and click in the 2nd floor to the top of the main base.
Note: make sure the collapsible floor piece is facing outward.

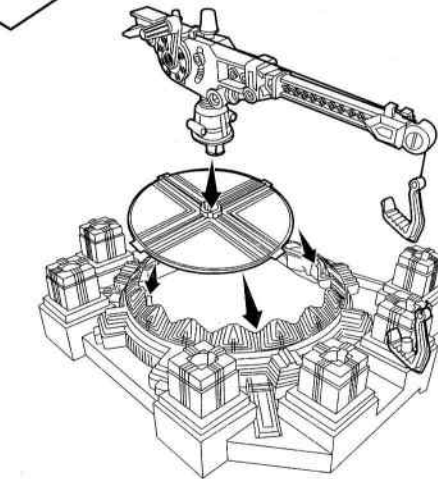
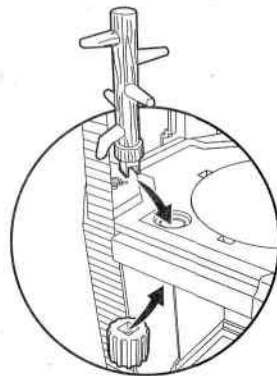
5. Click in the 3 Tower posts to begin building the 3rd level.
Note: all graphics should face inward.



7. Insert and click in the Vortex level to create the 3rd floor. Note: make sure the collapsible floor piece is facing outward.

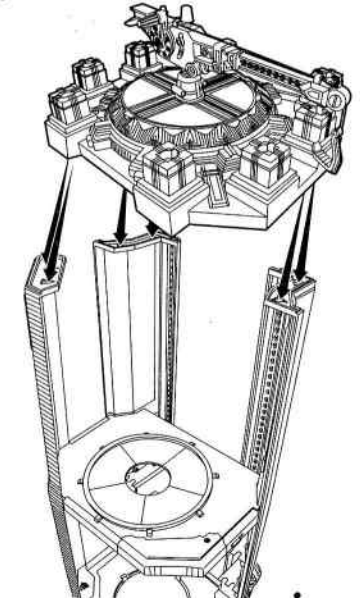


6. To insert the dummy post on the 2nd floor, first pull apart the base of the post from the top. Then, with each of the 2 pieces on either side of the 2nd floor hole, click it back together.



8. Using the circular portion of the 2nd floor, you are ready to build the crane for spinning action! Flip it upside down so the prongs are pointing up. Then, place it on top of the roof in between grooves until it snugly fits. Note: placing each of the circle's posts to the left of each prong on the roof should help it fit snugly. Click in the crane to the circular piece.

9. Insert and click in the entire roof section onto the top of the Tower!



Age 4 and up

Playmates®

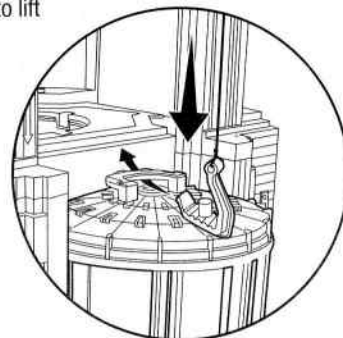
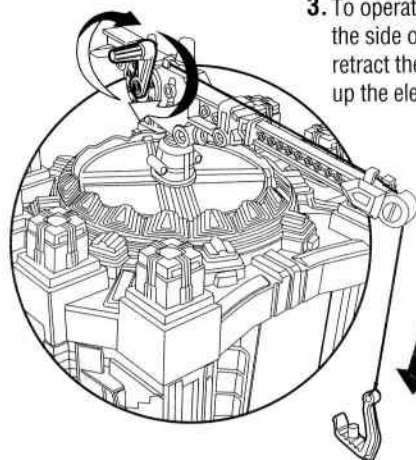
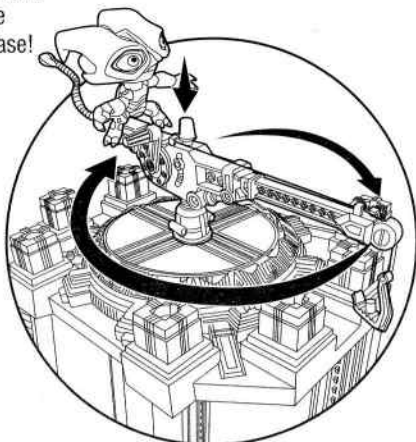
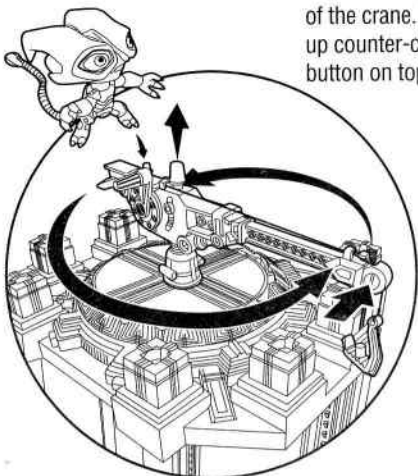
STOCK NO. 55483

⚠ WARNING: CHOKING HAZARD
Small parts. Not for Children under 3 years.

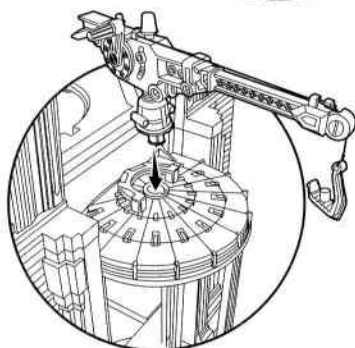
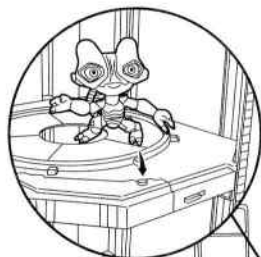
Teenage Mutant Ninja Turtles and TMNT are trademarks of Mirage Studios, Inc. Teenage Mutant Ninja Turtles®, Leonardo®, Michelangelo®, Raphael®, Donatello®, Splinter®, Shredder®, and April O'Neil® are registered trademarks of Mirage Studios, Inc. All Rights Reserved. PRINTED IN CHINA.

To play with the playset:

1. The Jersey Devil can ride on top of the Crane. Click in his left foot to the top of the crane. To spin the crane, wind it up counter-clockwise, then hit the button on top of the crane to release!



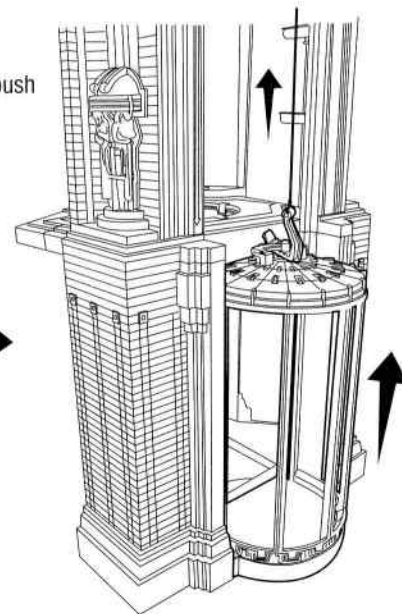
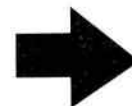
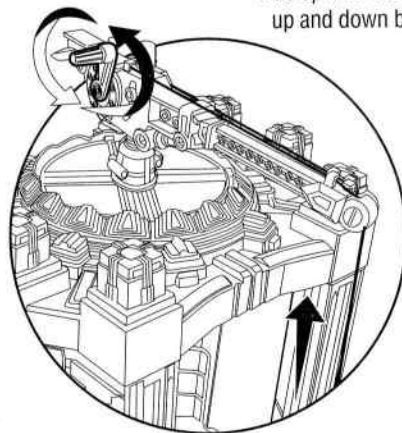
3. To operate the crane, turn handle on the side of the crane to lower and retract the crane. Use the crane to lift up the elevator!



5. Crane can also be inserted to operate on top of the elevator. Click it into the open hole on top of the elevator.

2. Use the Jersey Devil to knock off other figures through the collapsible floor. Pull the lever near the 3rd floor's collapsible piece to release the 3rd floor's collapsing floor. Once one figure is knocked off this floor, he should then knock down the 2nd floor's collapsing feature.

4. To operate the elevator, simply push up and down between floors.



6. The circular disc from Step #8 above can be inserted to complete the 2nd floor. Simply click it in to the 2nd floor open floor portion.

Age 4 and up

Playmates

STOCK NO. 55483

Teenage Mutant Ninja Turtles and TMNT are trademarks of Mirage Studios, Inc. Teenage Mutant Ninja Turtles®, Leonardo®, Michelangelo®, Raphael®, Donatello®, Splinter®, Shredder®, and April O'Neil® are registered trademarks of Mirage Studios, Inc. All Rights Reserved. PRINTED IN CHINA.