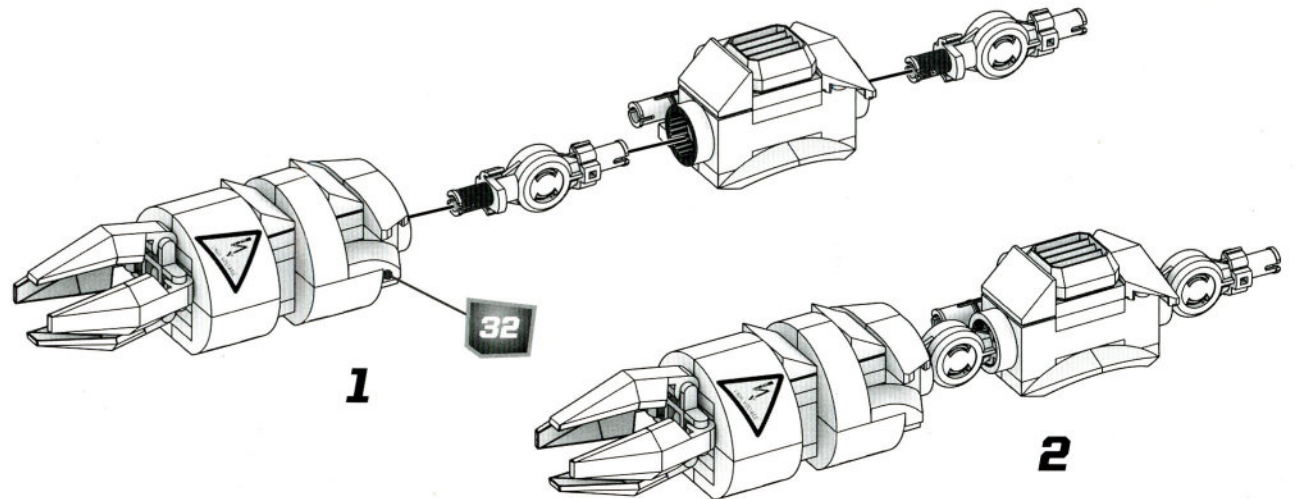
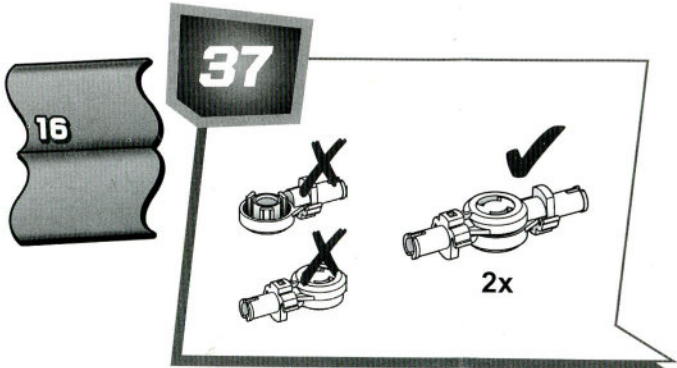
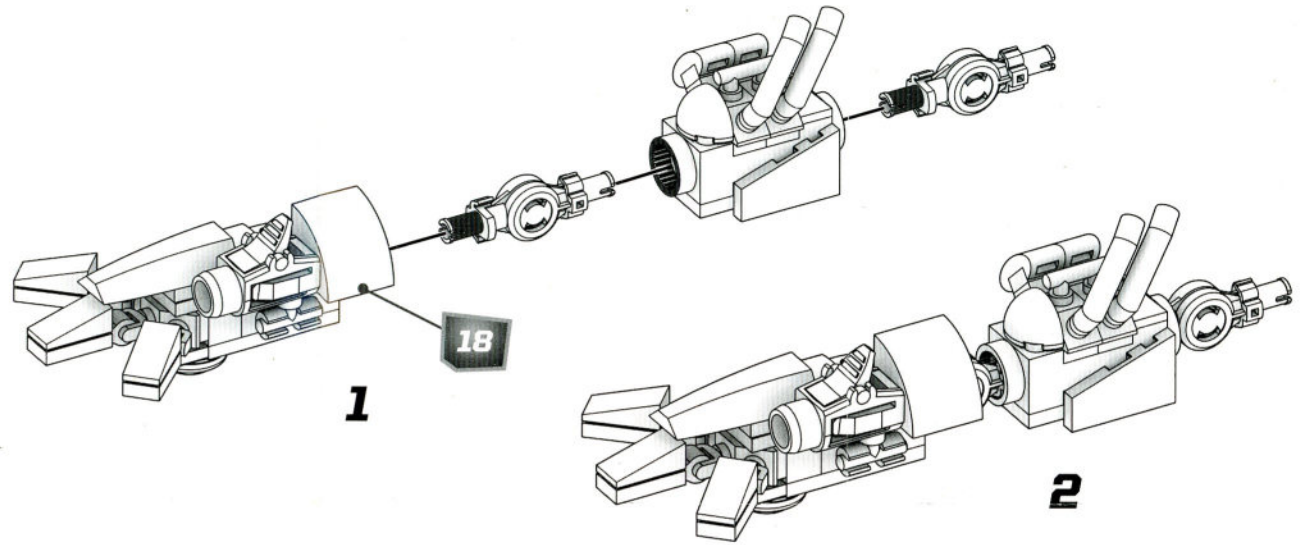
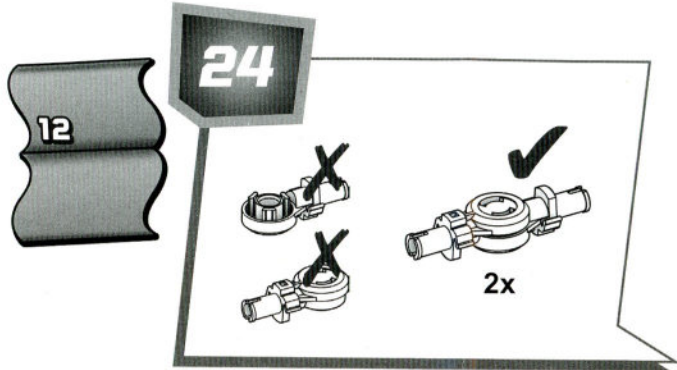
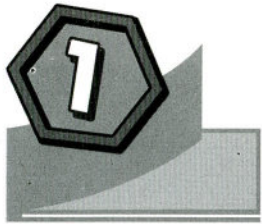
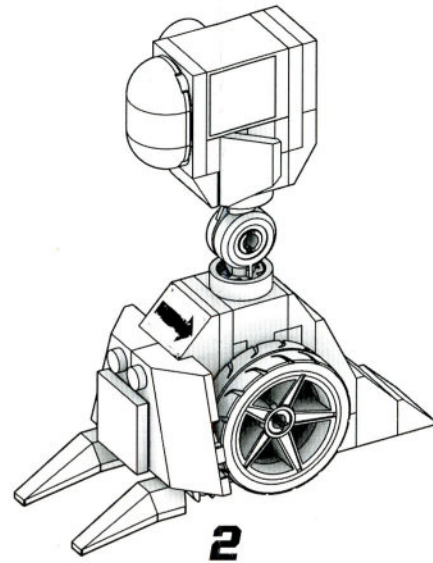
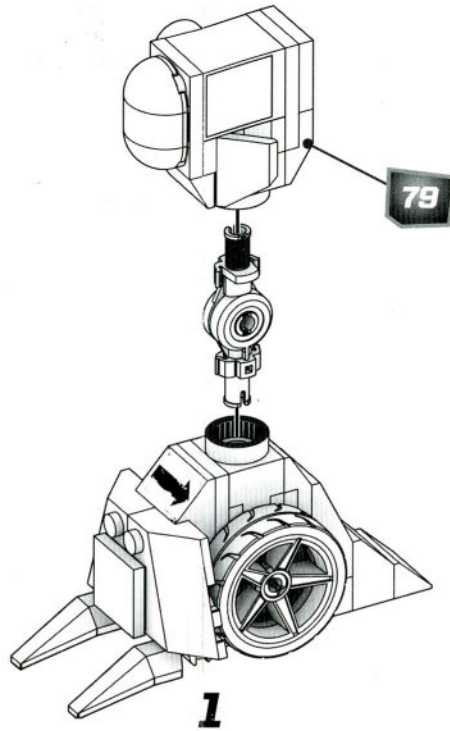
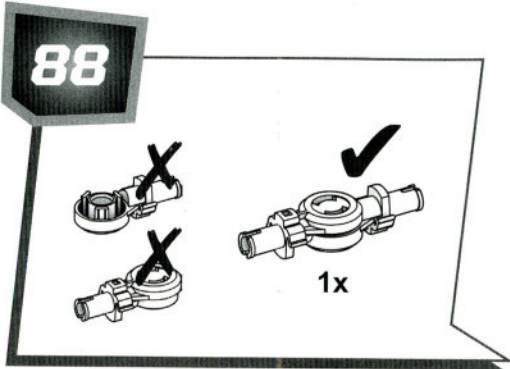


ADDENDUM



2

17



21

