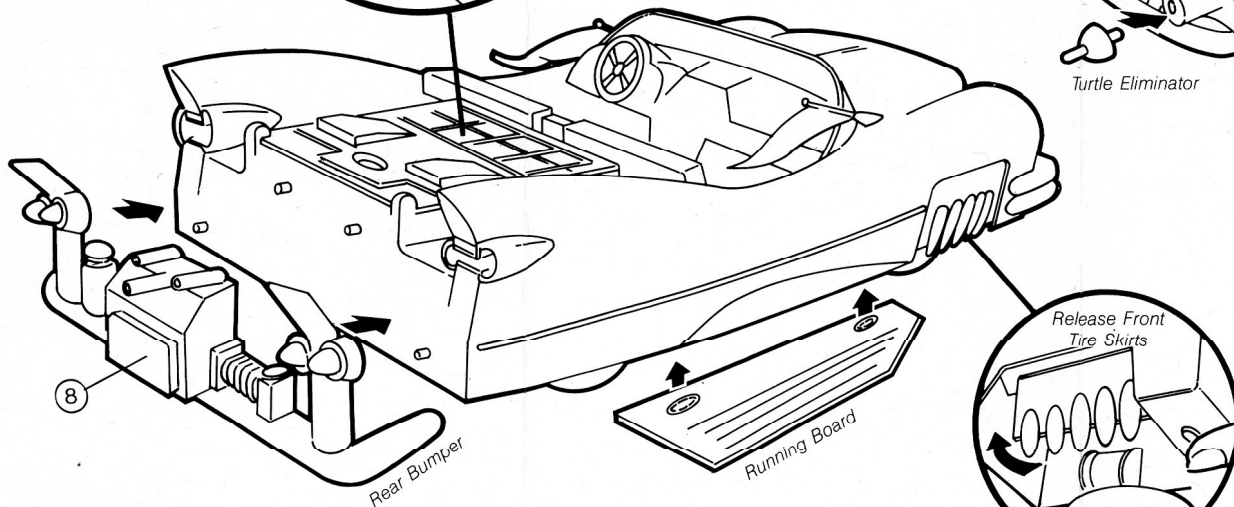
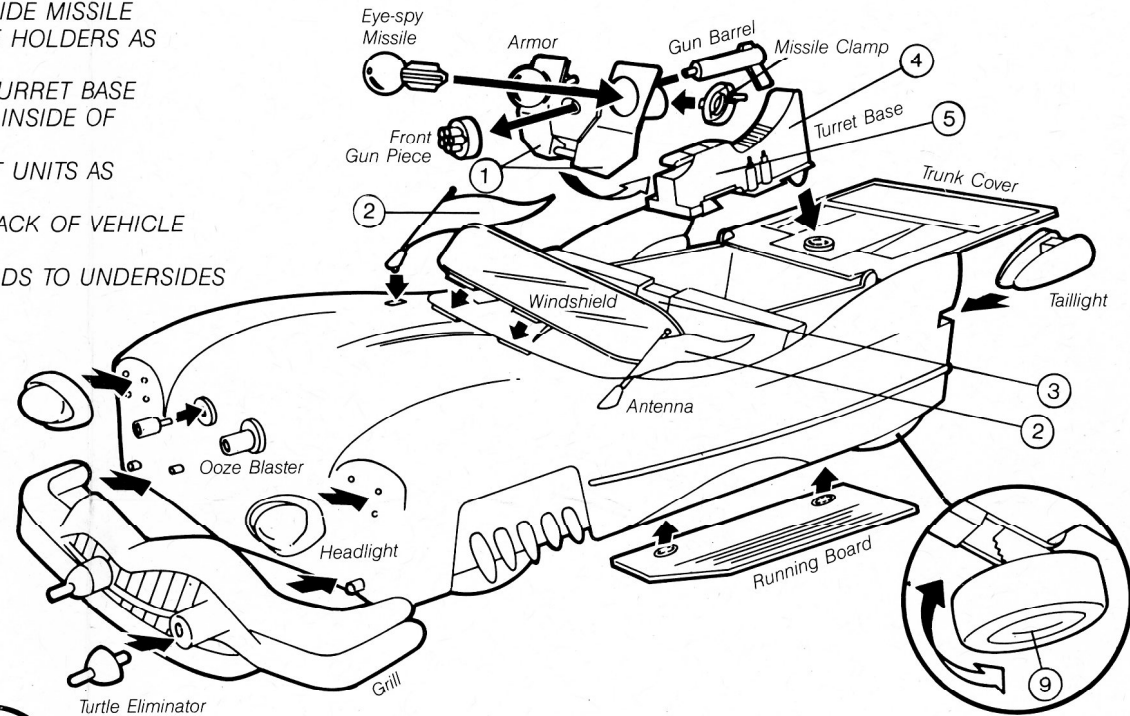
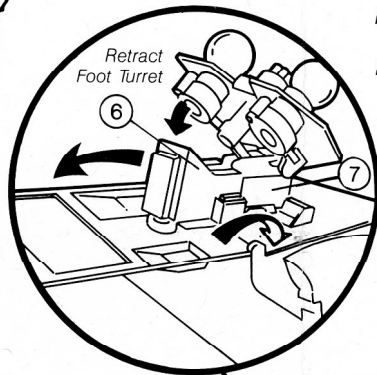


TEENAGE MUTANT NINJA TURTLES

Kids,
follow these
simple blueprints,
it's easy!

ASSEMBLY

- a. PLUG TURTLE ELIMINATORS TO FRONT OF GRILL.
- b. PLUG GRILL TO FRONT OF FOOTCRUISER.
- c. PLUG TWO (2) HEADLIGHTS AND TWO (2) OOZE BLASTERS TO FRONT OF FOOTCRUISER.
- d. PLUG WINDSHIELD AND TWO (2) TURTLE ANTENNAS TO TOP OF VEHICLE AS SHOWN.
- e. TO ASSEMBLE FOOT TURRET:
 - SLIDE BARREL OF GATTLING GUN THROUGH HOLE IN CENTER OF ARMOR AND SNAP TO FRONT PIECE OF GUN.
 - PLUG TWO (2) EYE-SPY MISSILES INTO HOLES ON EACH SIDE OF ARMOR. SLIDE MISSILE CLAMPS ON BACK OF MISSILE HOLDERS AS SHOWN.
 - PLUG ARMOR TO FRONT OF TURRET BASE AND ENTIRE TURRET UNIT TO INSIDE OF TRUNK COVER AS SHOWN.
- f. ATTACH TWO (2) REAR TAILLIGHT UNITS AS SHOWN.
- g. PLUG REAR BUMPER UNIT TO BACK OF VEHICLE AS SHOWN.
- h. ATTACH TWO (2) RUNNING BOARDS TO UNDERSIDES OF VEHICLE AS SHOWN.
- i. PLACE LABELS 1-9 AS SHOWN.



DIRECTIONS

- TO CRUISE THE MEAN CITY STREETS: PLACE 1-2 FIGURES IN CAR SEAT. ADDITIONAL FIGURES CAN BE PLACED ON FOOT TURRET SEAT AND ON RUNNING BOARDS.
- TO RETRACT FOOT TURRET: FOLD BACK TURRET ARMOR (GUN BARREL FITS INSIDE SEAT). ROTATE TURRET 180° AND FOLD TRUNK COVER FORWARD.
- TO CONVERT FOOTCRUISER TO GROUND MODE: ROTATE REAR TIRES TO DOWN POSITION. FOR FRONT TIRES, PUSH SHELL-SCRATCHING SKIRTS UP UNTIL THEY LOCK IN PLACE. ROTATE TIRES TO DOWN POSITION.
- TO CONVERT TO AIR MODE: REVERSE PROCEDURE. PRESS BUTTON ON BOTTOM FRONT OF VEHICLE AS SHOWN TO RELEASE FRONT TIRE SKIRTS TO DOWN POSITION.
- NOTE: IF TIRES DO NOT ROTATE FREELY, ADJUST TO CORRECT POSITION BY ROTATING TIRES UPWARD OR DOWNWARD.

Playmates

AGES 4 AND UP
NO. 5625