

# TEENAGE MUTANT NINJA TURTLES

Kids,  
follow these  
simple blueprints,  
it's easy!



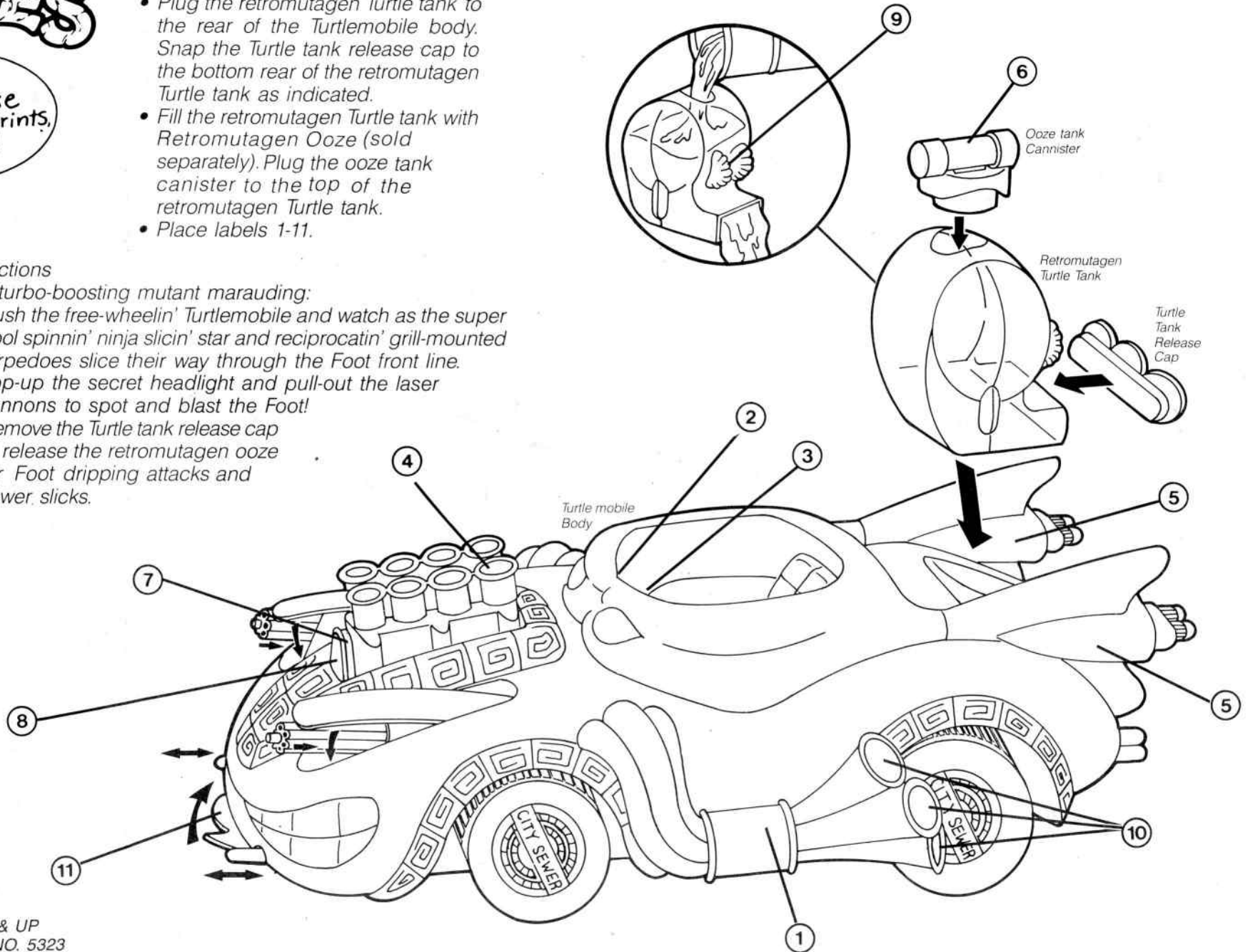
## Assembly

- Plug the retromutagen Turtle tank to the rear of the Turtlemobile body. Snap the Turtle tank release cap to the bottom rear of the retromutagen Turtle tank as indicated.
- Fill the retromutagen Turtle tank with Retromutagen Ooze (sold separately). Plug the ooze tank canister to the top of the retromutagen Turtle tank.
- Place labels 1-11.

## Directions

For turbo-boosting mutant marauding:

- Push the free-wheelin' Turtlemobile and watch as the super cool spinnin' ninja slicin' star and reciprocating grill-mounted torpedoes slice their way through the Foot front line.
- Pop-up the secret headlight and pull-out the laser cannons to spot and blast the Foot!
- Remove the Turtle tank release cap to release the retromutagen ooze for Foot dripping attacks and sewer slicks.



**Playmates**

AGES 4 & UP  
STOCK NO. 5323