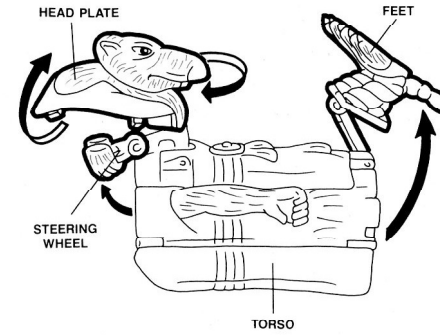
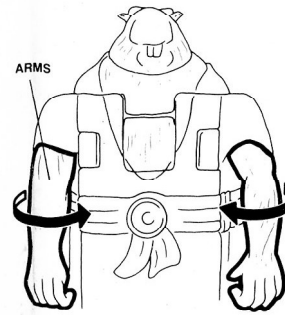


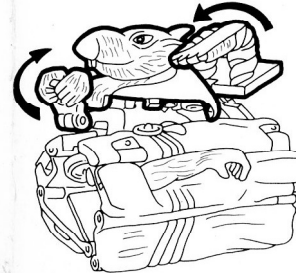
ROAD READY™
MUTATIONS™
TEENAGE MUTANT NINJA
TURTLES®

Help! I've got a party to go to — and I need your help to change!

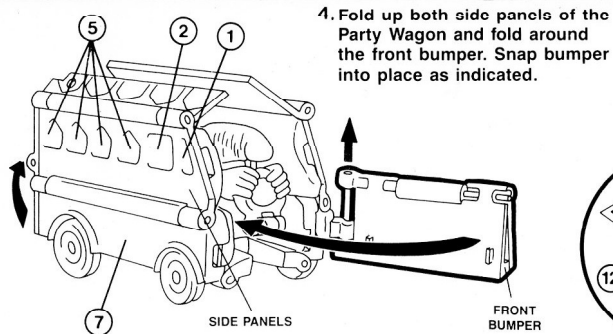
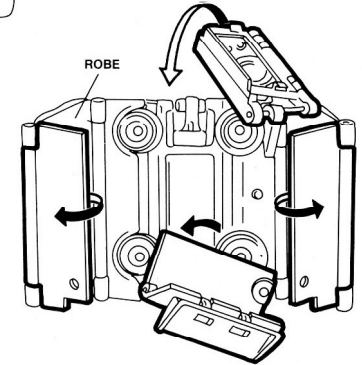


1. Position Splinter's arms against his sides. Pull Splinter's feet down to expose the bottom. Pull his head plate up from the back and turn it around. Position Splinter's head so that he is looking straight up, as shown. Pull the steering wheel up in front of Splinter's face.

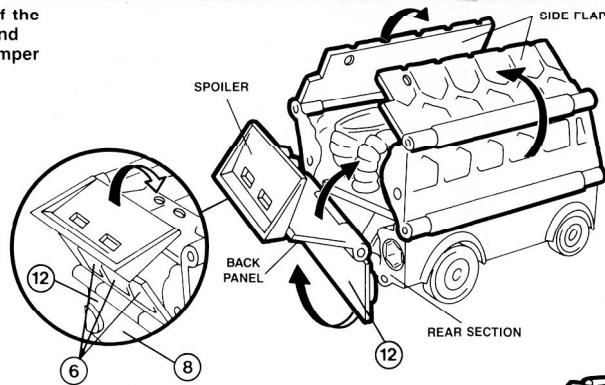
2. Pull his feet up and position behind his head. Tuck tail in between feet, as shown.



3. Pull apart and lift up both sides of Splinter's robe. This exposes the side panels of the Party Wagon.

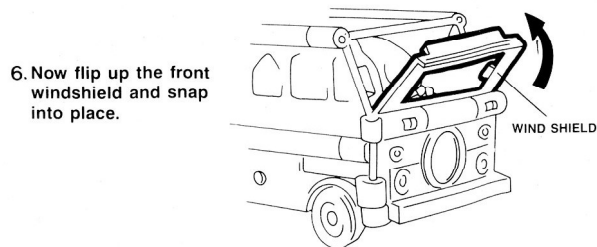


4. Fold up both side panels of the Party Wagon and fold around the front bumper. Snap bumper into place as indicated.



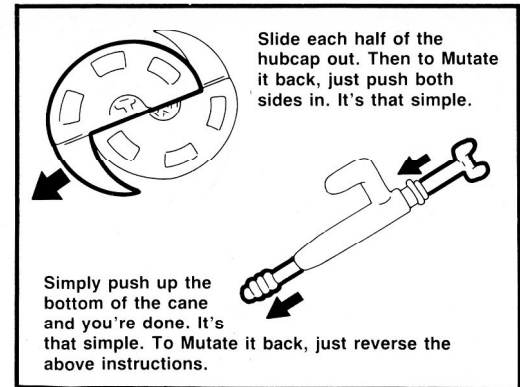
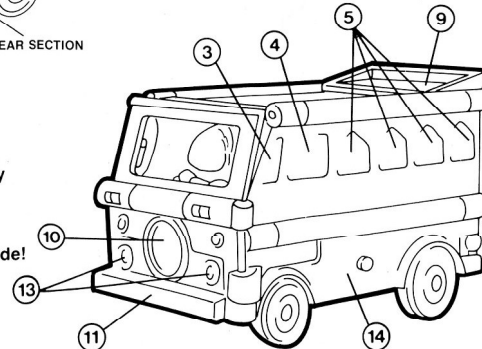
5. Fold over the side flaps to form the van top.

Swing around the back panel of the Party Wagon and snap into place. Pull up the rear section, as shown. Now snap the top spoiler down onto the roof.



6. Now flip up the front windshield and snap into place.

Now you've got the raddest road ready rat to ever rip the road — as a Party Wagon! Now you can really detail the Party Wagon by placing labels on the vehicle as shown. Whoa! Look out, dude!



Slide each half of the hubcap out. Then to Mutate it back, just push both sides in. It's that simple.

Simply push up the bottom of the cane and you're done. It's that simple. To Mutate it back, just reverse the above instructions.

- NOTES:
- To Mutate the Party Wagon back into Splinter the sensei master, just reverse the above instructions. It's that easy!
 - Do not force the Mutation process. If parts do not fit comfortably and figure/vehicle does not close easily, you may have missed a step.
 - Don't forget that being a Mutant master takes patience. The more you Mutate, the better you become!
 - Check out the enclosed Mutation Chart, which explains the miraculous evolution of these real Mutatin' Mutants!